

EZ SERIES GS

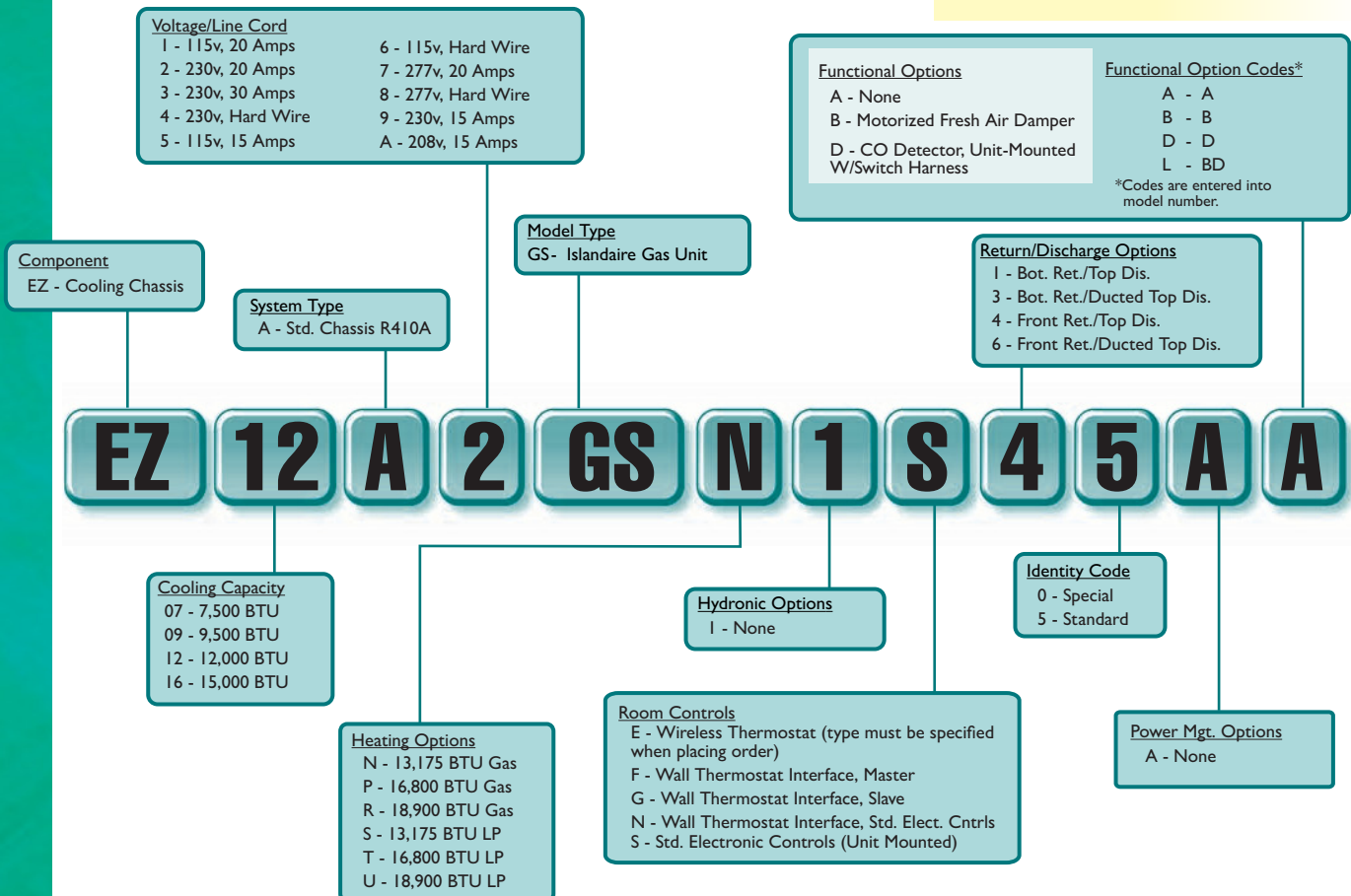
Specifically Designed For The 42" x 16" Market
and Replacement for the Suburban Dynaline

Islandaire EZ Series GS is a replacement for the Suburban Dynaline units. Our commercial duty construction with heavy gauge galvanized steel and superior components create an efficient reliable unit. This design eliminates the need for any interior or exterior renovation. Use of the existing wall sleeve-cabinet and louver saves time and money, two very important factors in today's competitive environment! If the need does occur where the duct kit sub-base/skirt, wall sleeve-cabinet and/or louver needs to be replaced, we manufacture these accessories as well. This unit is also used extensively for new construction projects.



FEATURES

- Proudly Assembled in the U.S.A.
- ETL listed product
- Superior Energy Efficiency Ratios (EERs)
- Commercial Duty Construction with Heavy Gauge Galvanized Steel
- Designed for exact replacement of existing sleeve opening
- Energy Efficient Rotary Compressors
- Lifetime Part Replacement Warranty on Heat Exchanger
- P.S.C. Evaporator and Condenser Motors
- High-Efficiency Refrigeration Coils Used to Provide Superior Heat Transfer
- Custom Options Available
- Available with wired and wireless wall thermostats
- NYC MEA Number 358-93-E Vol. II



*Specifications are subject to change due to ongoing product development.

6140310 06/25/20

500 Middle Country Road, St. James, NY 11780 • 1-800-886-2759
e-mail: sales@islandaire.com • www.islandaire.com
Ph: 631-471-2900 • Fax: 631-471-2913



MODELS

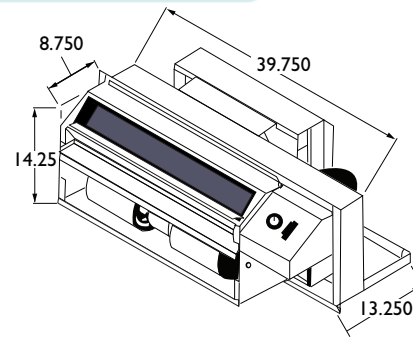
	EZ07				EZ09				EZ12				EZ16		
VOLTS	115	230	208	277	115	230	208	277	115	230	208	277	230	208	277
BTUH COOL	7,200	7,200	7,000	7,200	10,000	10,000	9,800	9,800	12,200	12,200	12,000	12,000	14,500	14,300	14,300
AMPS COOL	5.26	2.63	2.84	2.18	7.91	3.96	4.25	3.19	10.22	5.11	5.55	4.17	6.30	6.80	5.11
WATTS COOL	605	605	590	605	910	910	885	885	1,175	1,175	1,155	1,155	1,450	1,415	1,415
EER	11.9	11.9	11.9	11.9	11	11	11.1	11.1	10.4	10.4	10.4	10.4	10	10.1	10.1
CFM HIGH COOL	360	375	340	360	360	375	340	360	360	375	340	360	360	360	360
CFM LOW COOL/ HEAT	260	275	240	260	260	260	240	260	340	340	320	340	340	320	340
NOISE INDOOR/OUT- DOOR (DBA)	45/69	45/69	45/69	45/69	45/69	45/69	45/69	45/69	45/69	45/69	45/69	45/69	45/69	45/69	45/69
REFRIGERANT (TYPE)	R410A	R410A	R410A	R410A	R410A	R410A	R410A	R410A	R410A	R410A	R410A	R410A	R410A	R410A	R410A
SHIPPING WEIGHT (LB)	180	180	180	180	180	180	180	180	180	180	180	180	180	180	180

Where applicable, cooling capacities are specified at conditions of 95 °F DB/75 °F WB outdoor and 80 °F DB/67 °F WB indoor and heating capacities are specified at conditions of 47 °F WB outdoor and 70 °F DB/60 °F WB indoor in accordance with AHRI 310/380 and CSA C744 standards. Wattage, Amperage, EER, and COP listings include compressor, evaporator motor and condenser fan motor. The above ratings are a typical heat pump style unit.

HEATING OPTIONS - Available with any cooling unit

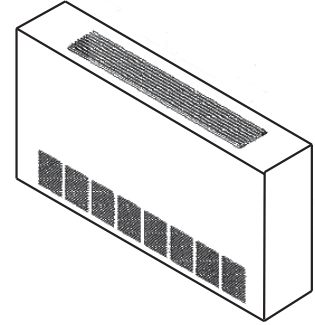
	N & S				P & T				R & U			
Input BTUH Heat	15,500	15,500	15,500	15,500	20,000	20,000	20,000	20,000	22,500	22,500	22,500	22,500
Output BTUH Heat	13,175	13,175	13,175	13,175	16,800	16,800	16,800	16,800	18,900	18,900	18,900	18,900
Volts	115	208	230	277	115	208	230	277	115	208	230	277
Watts Heat	143	150	166	166	143	150	166	166	143	150	166	166
Thermal Efficiency	85.0	85.0	85.0	85.0	84.0	84.0	84.0	84.0	84.0	84.0	84.0	84.0
Amps Heat	1.24	0.72	0.72	0.60	1.24	0.72	0.72	0.60	1.24	0.72	0.72	0.60

Line Voltage	Maximum Amperage	Wall Socket Configuration	Receptacle Number	Electrical Heat Options
115	12		NEMA 5-15R	1.3
115	16		NEMA 5-20R	1.7
208/230	12		NEMA 6-15R	2.5
208/230	16		NEMA 6-20R	3.6
208/230	24		NEMA 6-30R	4.2 - 5.0
277	16		NEMA 7-20R	2.5 - 4.2
277	24		NEMA 7-30R	5.0



ENCLOSURES

PART NUMBER	DESCRIPTION	APPROX. WT.	DIMENSIONS		
			DEPTH	WIDTH	HEIGHT
Consult Factory	EZGS Enclosure Assembly, Flat Top	-	various	various	various
4080704-00	EZGS Duct Assembly, 4" x 8.5"	10 lbs.	8.500"	44.250"	4.000"
4082844-00	EZGS Enclosure Assembly, Sloped Top	12 lbs.	8.397"	42.000"	15.254"
4083911-00	EZGS Enclosure Assembly, Louvered, Sloped Top, Bottom Return	17 lbs.	10.569"	42.000"	15.815"
Consult Factory	EZGS skirts (for Enclosures)	-	-	-	-



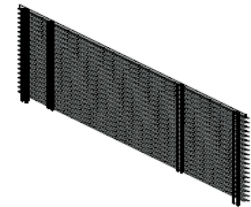
WALL SLEEVES

PART NUMBER	DESCRIPTION	APPROX. WT.	DIMENSIONS		
			DEPTH	WIDTH	HEIGHT
Consult Factory	Custom Wall Sleeves available for all building types/wall thicknesses	-	-	-	-
2400405-00	EZGS Wall Sleeve Assembly, Standard	34 lbs.	15.00"	42.00"	16.00"
2401135-00	EZGS Wall Sleeve Assembly, Break Down	33 lbs.	13.75"	42.00"	16.00"
4090339-00	EZGS Wall Sleeve Extension Kit	5 lbs.	2.000"	42.00"	16.00"



LOUVERS

PART NUMBER	DESCRIPTION	APPROX. WT.	DIMENSIONS		
			DEPTH	WIDTH	HEIGHT
6070264	EZGS Stamped Louver, Formed, Standard (use with 2401135-00 wall sleeve)	5 lbs.	1.063"	41.00"	15.50"
6070422	EZGS Architectural Louver, External, Standard (use with 2401135-00 wall sleeve)	7 lbs.	1.125"	42.00"	15.90"
6070134	EZGS Louver, Recessed (use with 2400405-00 wall sleeve)	7 lbs.	1.125"	41.50"	15.50"



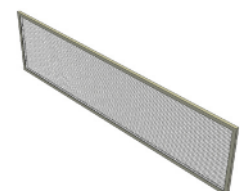
THERMOSTATS

PART NUMBER	DESCRIPTION	APPROX. WT.	FEATURES		
			CONNECTION	STAGE	DISPLAY
6041206	Islandaire Non-Programmable, Two Fan Speed	1.0 lbs.	Wireless	Single	Horizontal
6041210	Islandaire Programmable, Two Fan Speed	1.0 lbs.	Wireless	Single	Horizontal
6041211	Pro 1 Programmable/Non-Programmable, Two Fan Speed	1.0 lbs.	Wired	Single	Horizontal



FILTERS

PART NUMBER	DESCRIPTION	APPROX. WT.	DIMENSIONS		
			DEPTH	WIDTH	HEIGHT
6080015	EZGS Electrostatic Filter, used on 277v units	2 lbs.	0.250"	30.750"	7.000"
6080079	EZGS Electrostatic Filter, used on 115v and 208/230v units	2 lbs.	0.312"	30.750"	7.500"



*Specifications are subject to change due to ongoing product development.

Ask your salesman about
our DR. PTAC option!*



*100% conditioned
fresh air

NEW!
Vertical Unit Available
For New Construction and as
Replacement for
GE AZ Vertical, Friedrich Vert-I-Pak
and First Company SPX



500 Middle Country Road, St. James, NY 11780 • 1-800-886-2759
e-mail: sales@islandaire.com • www.islandaire.com
Ph: 631-471-2900 • Fax: 631-471-2913



Locally Represented By:

