

**Omega HRP replacement chassis** is the ideal replacement and upgrade for the original Omega HRP units. The chassis unit is our OEM direct drop-in for allowing for a fast, simple and easy installation.

The Omega unit features modern components and works seamlessly with the existing microprocessor controller providing the user with silent, energy efficient, and reliable year-round operation.

Factory tested and fully charged with R-410A makes Omega the preferred replacement option.

### STANDARD FEATURES

- Factory charged and tested
- High efficiency compressors
- Microprocessor Controller Compatible
- High and Low-Pressure safety switches
- Thermal Expansion Valve (TXV) & Filter Drier
- R-410A Environmentally friendly refrigerant
- Refrigerant service access ports
- Heavy gauge galvanized sheet metal
- 1-Year Parts and 5-Year Compressor Warranty

### QUICK & EASY

Omega HRP replacement chassis units are dimensionally identical to existing unit for a quick and easy installation. Simply remove old chassis, and slide in new Omega chassis. All connections are plug-n-play with no wiring modifications required. Water connections match existing cabinet and hose connections for a seamless transition.

### SAFETY

Replacement chassis comes standard with safety features to protect unit from unwanted operating conditions: high-pressure and low-pressure safety switches to shut down unit before damage can occur and pre-emptive detection of water flow issues.

### COMFORT & RELIABILITY

Quiet and reliable operation from the use of quality components and construction. High-efficiency compressor ensures silent and reliable operation. Unit integrates with existing microprocessor controller and monitors operation of the unit for fault-free start-ups and optimal operation. All new Omega units come with our standard 1-year parts 5-year compressor warranty.

### OPTIONS & ACCESSORIES

- Thermostat
- Auto-Flow Balancing valve
- Auto Shut-Off Control valve
- Hose kits
- Geothermal Option
- Coated Air Coil for Formicary Corrosion Protection

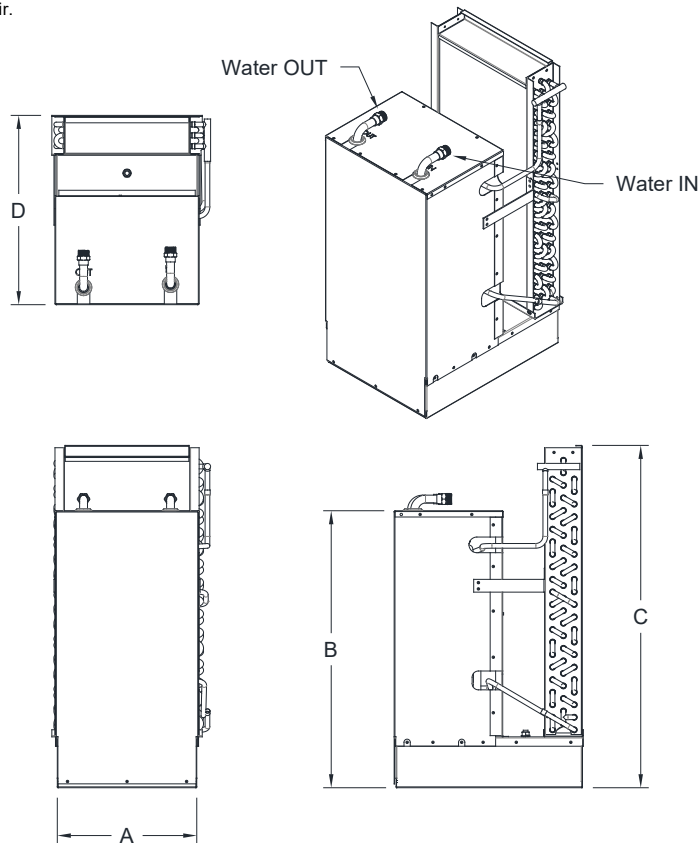
### Performance Data

Omega Model	Replaces Omega Model	Refrig.	Size (Tons)	Nominal CFM	Cooling*		Heating*		Nominal GPM	WPD	
					BTUH <sup>1</sup>	EER <sup>1</sup>	BTUH <sup>2</sup>	COP <sup>2</sup>		PSI	FT
RPC-OM-HRP-020	HRP-020	R-410A	1/2	200	5,800	12.2	7,200	4.3	1.5	1.7	4
RPC-OM-HRP-030	HRP-030	R-410A	3/4	350	8,900	12.5	11,900	4.6	2.5	4.8	11
RPC-OM-HRP-040	HRP-040	R-410A	1	460	11,600	13.7	14,700	4.7	3.0	4.8	11
RPC-OM-HRP-050	HRP-050	R-410A	1 1/4	530	15,100	15.5	17,200	4.8	4.0	6.2	14
RPC-OM-HRP-060	HRP-060	R-410A	1 1/2	630	17,900	14.5	22,500	4.5	4.5	8.7	20
RPC-OM-HRP-080	HRP-080	R-410A	2	820	22,000	13.3	29,500	4.4	6.0	4.4	10
RPC-OM-HRP-100	HRP-100	R-410A	2 1/2	1010	26,400	13.0	36,000	4.3	7.0	5.6	13
RPC-OM-HRP-120	HRP-120	R-410A	3	1200	36,000	12.8	46,700	4.2	9.0	8.0	18

\* Nominal capacity performance based on 86F EWT Cooling, 68F EWT Heating and rated CFM. Includes fan power 0.365W/CFM

<sup>1</sup> Cooling performance based on 80F DB and 67F WB entering air conditions.

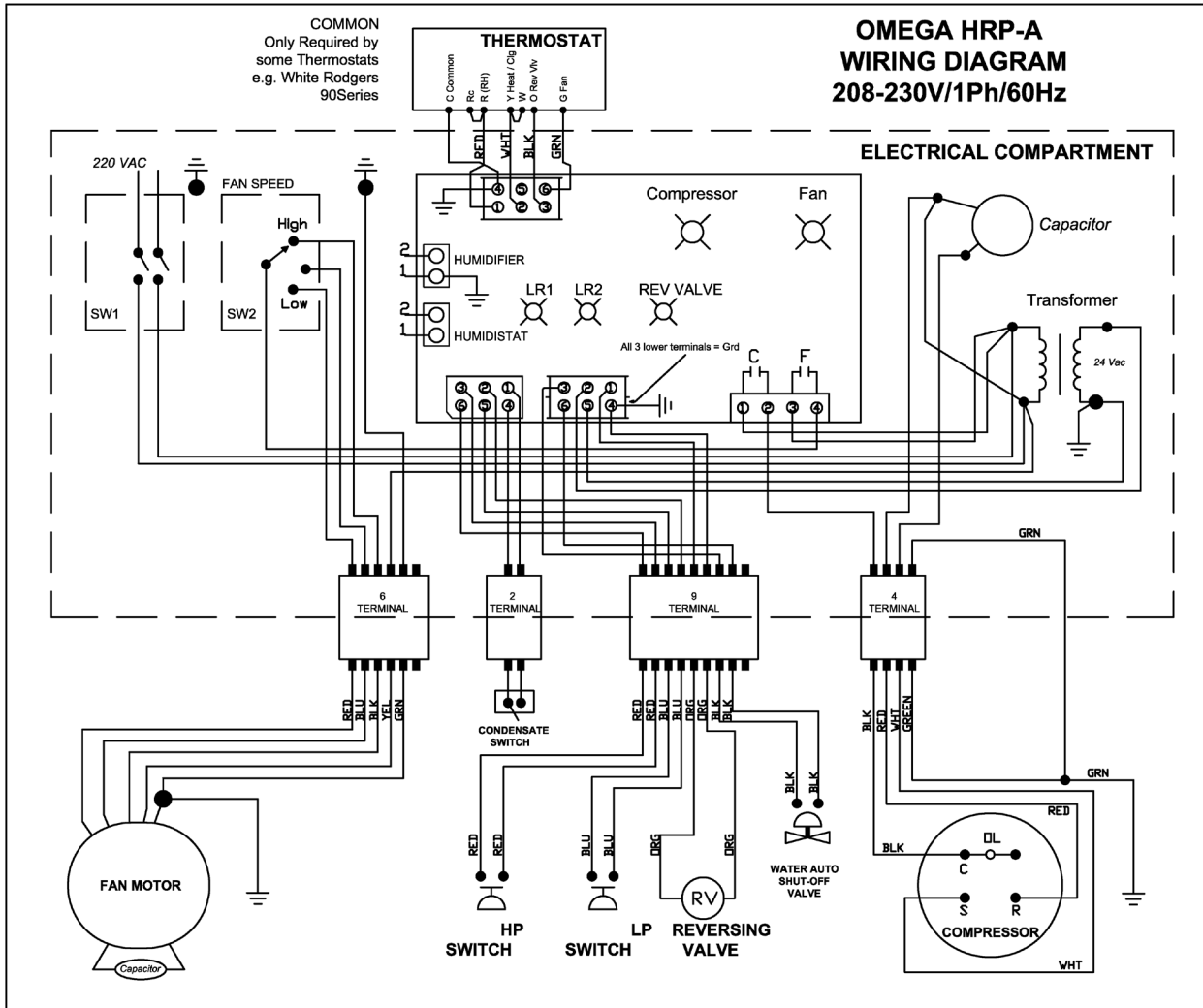
<sup>2</sup> Heating performance at 68F entering air.



### Dimensional Data

Omega Model	Cabinet Size	Dimensions (inches)				Water Connection (in)		Weight (lbs.)
		A	B	C	D	Outlet	Inlet	
RPC-OM-HRP-020	X	11 1/8	22	16 1/4	15	1/2 NH	1/2 NH	57
RPC-OM-HRP-030		11 1/8	22	27 3/8	15	1/2 NH	1/2 NH	67
RPC-OM-HRP-040		11 1/8	22	27 3/8	15	1/2 NH	1/2 NH	72
RPC-OM-HRP-050	Y	13 1/4	22 1/4	28 1/4	18	1/2 NH	1/2 NH	93
RPC-OM-HRP-060		13 1/4	22 1/4	28 1/4	18	1/2 NH	1/2 NH	95
RPC-OM-HRP-080	Z	17 1/8	23 3/8	29 1/4	22 1/4	3/4 NH	3/4 NH	138
RPC-OM-HRP-100		17 1/8	23 3/8	29 1/4	22 1/4	3/4 NH	3/4 NH	140
RPC-OM-HRP-120		17 1/8	23 3/8	29 1/4	22 1/4	3/4 NH	3/4 NH	150

### Wiring Schematic: 9 Pin HRP Version



### Electrical Data

MODEL	Compressor Type	Supply Voltage	Compressor		
			QTY	RLA	LRA
RPC-OM-HRP-020	Rotary	208-230/1/60	1 @	3.0	15.0
RPC-OM-HRP-030	Rotary	208-230/1/60	1 @	3.7	22.0
RPC-OM-HRP-040	Rotary	208-230/1/60	1 @	4.7	25.0
RPC-OM-HRP-050	Rotary	208-230/1/60	1 @	5.6	26.0
RPC-OM-HRP-060	Rotary	208-230/1/60	1 @	7.4	33.0
RPC-OM-HRP-080	Scroll	208-230/1/60	1 @	10.9	62.9
RPC-OM-HRP-100	Scroll	208-230/1/60	1 @	13.5	72.5
RPC-OM-HRP-120	Scroll	208-230/1/60	1 @	15.4	83.9

**VERIFY EXISTING ELECTRICAL SERVICE IS ADEQUATE FOR NEW REPLACEMENT CHASSIS**

For product support contact your local certified distributor  
Visit [www.omega-heatpump.com](http://www.omega-heatpump.com)