

HCA ELECTRICAL BOX

INSTALLATION INSTRUCTIONS FOR REPLACEMENT HCA CHASIS

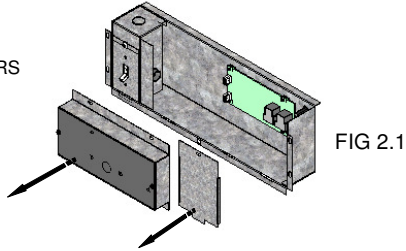


STEP 1:

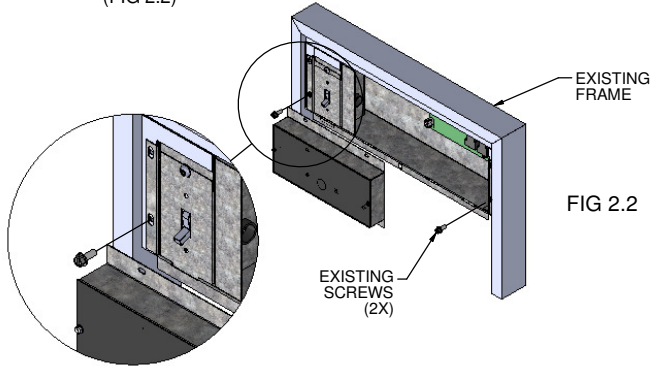
1.1 REMOVE THE OLD ELECTRICAL BOX.

STEP 2:

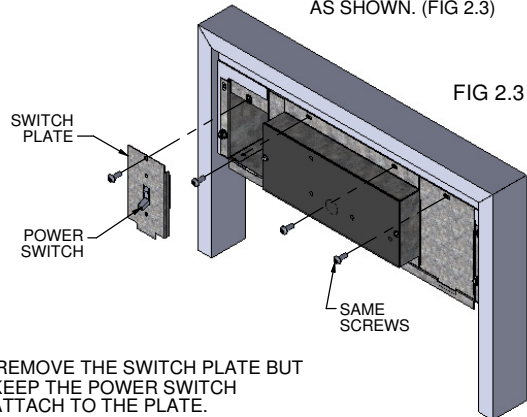
2.1 REMOVE FRONT COVERS OF THE NEW OMEGA ELECTRICAL BOX. AS SHOWN. (FIG 2.1)



2.2 INSTALL THE NEW OMEGA ELECTRICAL BOX BY ALIGNING IT TO SAME HOLES USED BY THE OLD ELECTRICAL BOX. FASTEN IT USING THE SAME SCREWS. SECURE IT FIRMLY. (FIG 2.2)



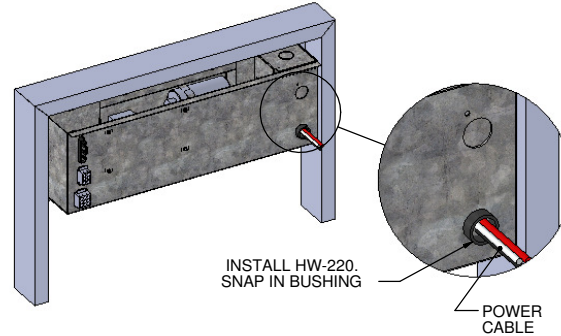
2.3 RE-INSTALL FRONT COVERS USING THE SAME SCREWS. AS SHOWN. (FIG 2.3)



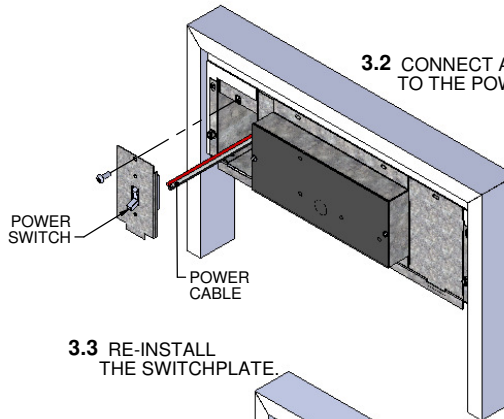
2.4 REMOVE THE SWITCH PLATE BUT KEEP THE POWER SWITCH ATTACH TO THE PLATE.

STEP 3:

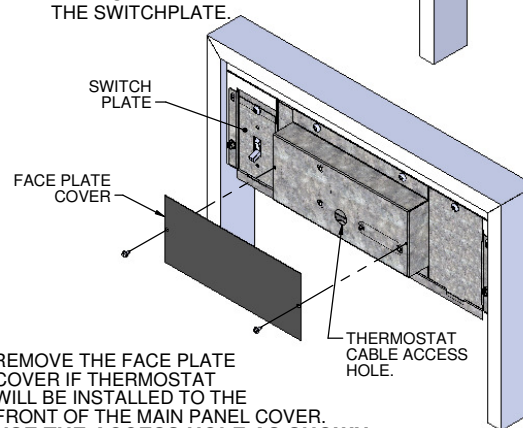
3.1 USE ONE OF THE KNOCK OUT HOLES AT THE BACK OF THE CASING FOR THE POWER CABLES.



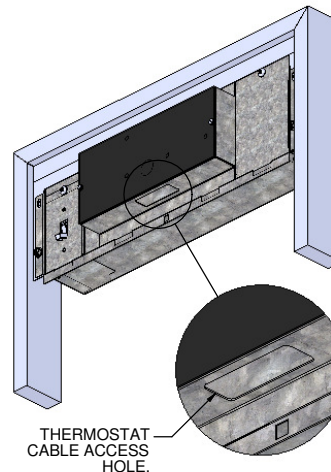
3.2 CONNECT ALL WIRES TO THE POWER SWITCH.



3.3 RE-INSTALL THE SWITCHPLATE.



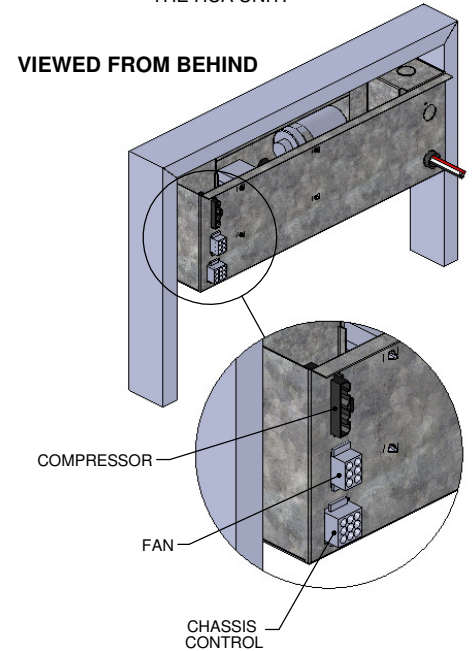
3.4 REMOVE THE FACE PLATE COVER IF THERMOSTAT WILL BE INSTALLED TO THE FRONT OF THE MAIN PANEL COVER. USE THE ACCESS HOLE AS SHOWN FOR THE THERMOSTAT CABLE



STEP 4:

4.1 CONNECT ALL CABLES FROM THE HCA UNIT.

VIEWED FROM BEHIND



VIEWED UNDENEATH

3.5 KEEP THE FACE PLATE COVER IF THERMOSTAT WILL BE INSTALLED REMOTELY. USE THE ACCESS HOLE AS SHOWN FOR THE THERMOSTAT CABLE.